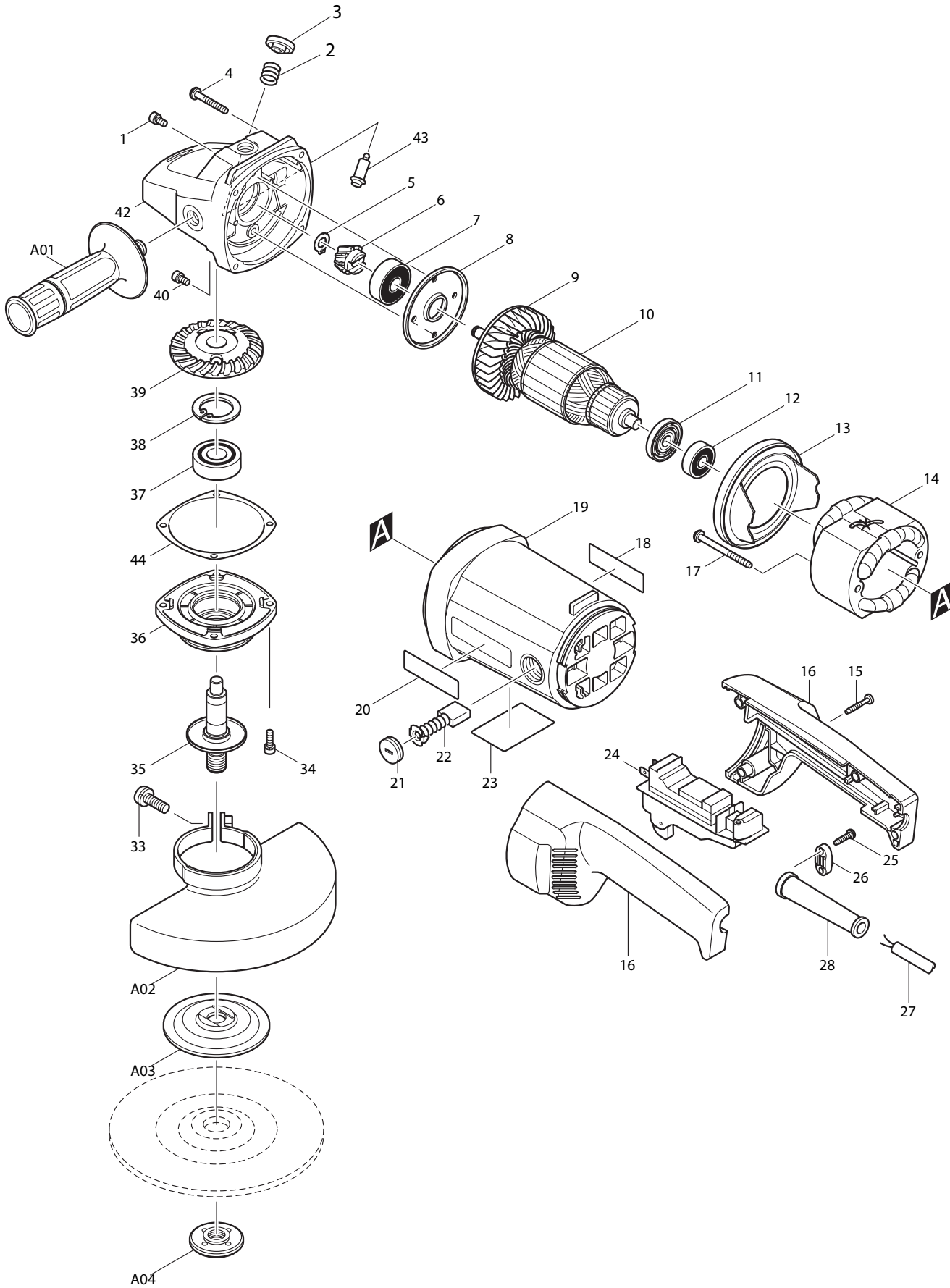




08 - 2008

9067DB

7" ANGLE GRINDER AC/DC



Item No.	Part No.	Description	Q'ty	Unit
1	265976-0	Hex Socket Head Bolt M5X10	1	PC.
2	233292-8	Compression Spring 12	1	PC.
3	416449-8	Pin Cap	1	PC.
4	266012-5	Tapping Screw 5X35	4	PC.
5	961005-4	Retaining Ring S-9	1	PC.
6	226774-7	Spiral Bevel Gear 15	1	PC.
7	211132-0	Ball Bearing 6301DDW	1	PC.
8	285688-9	Bearing Retainer 57	1	PC.
9	240011-5	Fan 80	1	PC.
10	516771-4	Armature Assy	1	PC.
	INC.	Item No. 9, 11, 12	1	PC.
11	681630-2	Insulation Washer	1	PC.
12	211087-9	Ball Bearing 6200DDW	1	PC.
13	416472-3	Baffle Plate	1	PC.
14	526071-4	Field Assy	1	PC.
	INC.	Item No. 101		
15	265999-8	Tapping Screw 4X25	4	PC.
16	183029-2	Handle Set	1	PC.
17	266044-2	Tapping Screw 5X60	2	PC.
18	819001-5	Makita Label	1	PC.
19	150969-9	Motor Housing Com.	1	PC.
	INC. 643707-1	Brush Holder	2	PC.
20	819001-5	Makita Label	1	PC.
21	643700-5	Brush Holder Cap 7-18	2	PC.
22	191957-7	A.C. Carbon Brush CB-204 (2pcs/Set)	1	SET
24	651171-2	Switch	1	PC.
25	265995-6	Tapping Screw 4X18	2	PC.
26	687052-4	Strain Relief	1	PC.
27	664463-0	Cord With Plug 2P-14-2.5	1	PC.
28	682505-8	Cord Guard 10-90	1	PC.
33	265050-4	P. .H Screw M8X25	1	PC.
34	266086-6	Hex. Socket Head Bolt M5X16	4	PC.
35	152607-9	Spindle Com.	1	PC.
36	317007-2	Bearing Box	1	PC.
37	211278-2	Ball Bearing 6203DDW	1	PC.
38	962157-4	Retaining Ring R-40	1	PC.
39	226773-9	Spiral Bevel Gear 49	1	PC.
40	265976-0	H.S.H Bolt M5X10	1	PC.
42	135079-3	Gear Housng Ass'y	1	PC.
	INC. 212074-1	Needle Bearing	1	PC.
	INC.	Item No. 2, 3, 43	1	PC.
43	256452-5	Pin 8	1	PC.
44	442124-0	Gasket	1	PC.
100	654510-5	Closed end Terminal 5.5-SD	2	PC.
101	654098-5	Receptacle	2	PC.
<b>ACCESSORIES</b>				
A01	152539-0	Grip 36 Com.	1	PC.
A02	192578-8	Wheel Cover F/7" D.C.W	1	PC.
	INC.	Item No. 33	1	PC.

Item No.	Part No.	Description	Q'ty	Unit
A03	224317-9	Inner Flange 89	1	PC.
A04	224568-4	Lock Nut 5/8-45 (F/ D.C.W & C.O.W)	1	PC.
A05		SEE CATALOGUE FOR: 7" Grinding Wheel (D.C.W)	1	PC.
		7" Cut-Off Wheel (C.O.W)	1	PC.
		Abrasive Disc	1	PC.
		Multi-Disc	1	PC.
		Wire Cup Brush, Wire Bevel Brush,	1	PC.
		Wire Wheel Brush	1	PC.
A06	782412-6	Lock Nut Wrench 28	1	PC.
A07	743012-7	Rubber Pad F/7"	1	PC.
A08	<b>193048-0</b>	Sanding Lock Nut 5/8-48	1	PC.
A09	224083-8	Inner Flange 45 (F/ C.O.W)	1	PC.
A10	224111-9D	Throw Away Adaptor	1	PC.
A11	224111-9X	Re-Usable Adaptor	1	PC.
A12	192619-0	Loop Handle Com.	1	PC.
	INC. 921731-7	Hex.Bolt M14X20	2	PC.

\* INC.=INCLUDES